

PERFEKTLIGHT



Product Specification



HGB 150 Watt

Features

Long life span, using semiconductor chip as the light resource, the life can be over 50,000hrs.

No UV & IR . It won't distribute ray radiation

Eco-friendly, No Hg & Xe, or other harmful element. Recyclable, also it won't generate EMI.

MEAN WELL power supply, high performance external constant current drivers, high efficiency&PF, high quality assurance.



Technical Parameters

Power parameters:

Project	parameter
Input Voltage/Frequency	AC90-305V 50/60Hz
Input Current(Typ)	0.59A
Output Voltage	DC40-48V
Output Current	2.55A
Power	150W("MEANWELL" HBG-160-48A)
Power Factor(Typ)	PF>0.95
Efficiency(Typ)	η >0.85

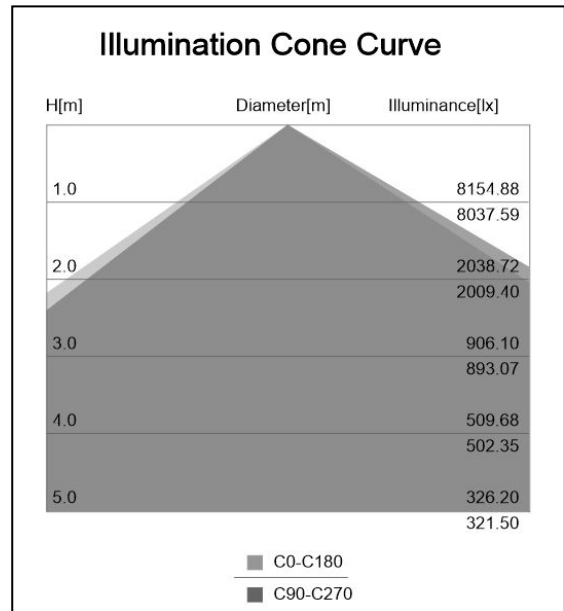
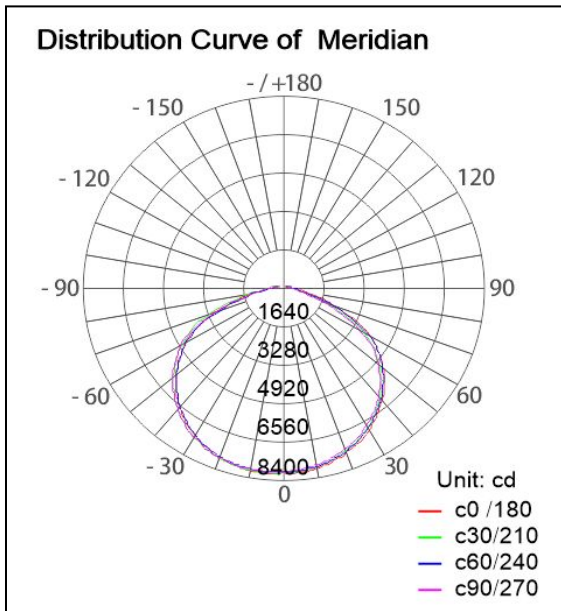
Lighting parameters:

LED Chips Quantity	270(3030) pcs
Lumen Output	\geq 18200LM
Color Temperature	3000K/4000K/6000K
Color Rendering Index	Ra \geq 80
Beam Angle	115°
Dimensions	\varnothing 282x210.8mm
Operating Temperature	-40~60 °C
Operating Humidity	20%~90%
Storage Temperature	-40~80 °C
Lumen Maintenance	>85% (5000Hrs)
Life-span	50000Hrs
STD&AUT	UL、DLC、TUV, CE、RoHS

Note: Light optic with a little deviation for different color temperature LED , deviation value \leq 5%

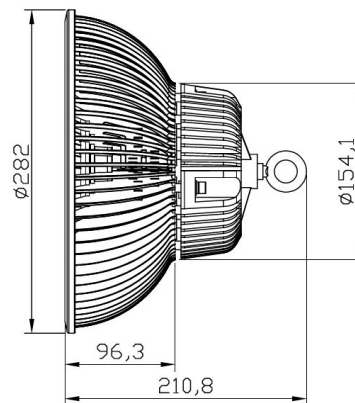
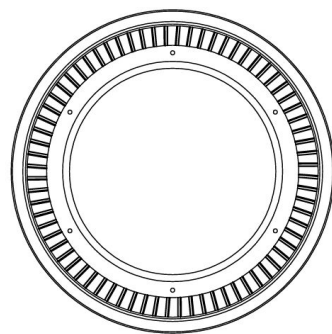
Test Report

Measured Data of Lamp			
Voltage: 228.5 V	Current: 0.687 A	Power: 152.8 W	Power Factor: 0.973
Total Flux	21598.6lm	Central Intensity	8020.15 cd
Lamp Efficiency	0.00%	Light Efficiency	138.25 lm/W
Peak Intensity	8154.88 cd	Location of Peak(c, γ)	(180.0° , 6.3°)
Half-Intensity Angle	108.0°	Beam Angle	148.5°
Upward Light Ratio	0	Downward Light Ratio	100%
Upward Street Side	0	Downward Street Side	10009.96 lm
Upward House Side	0	Downward House Side	11588.89 lm
Flash Area(76°)	707 cm2	Discomfort Glare(SLI)	0

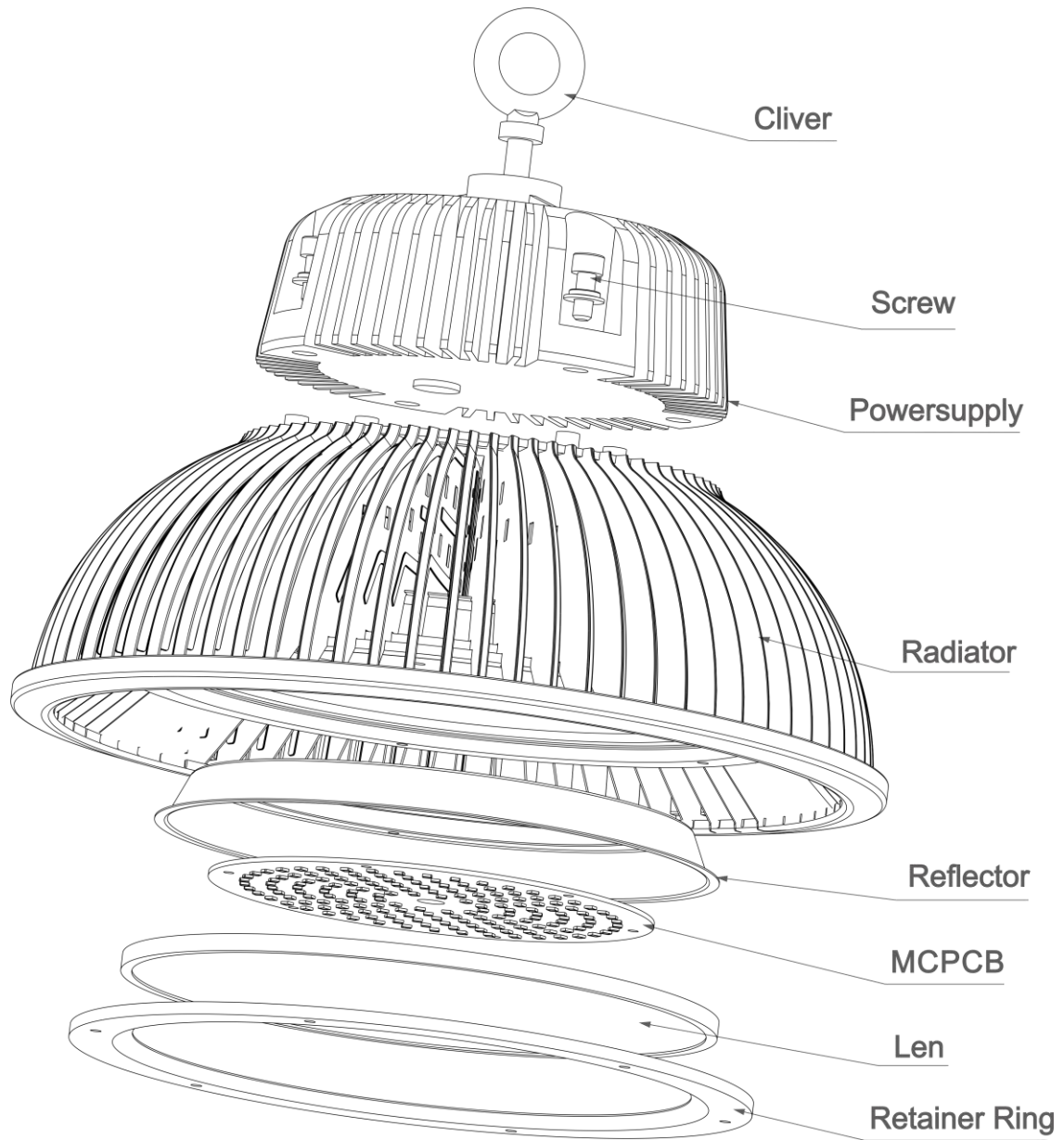


Dimension

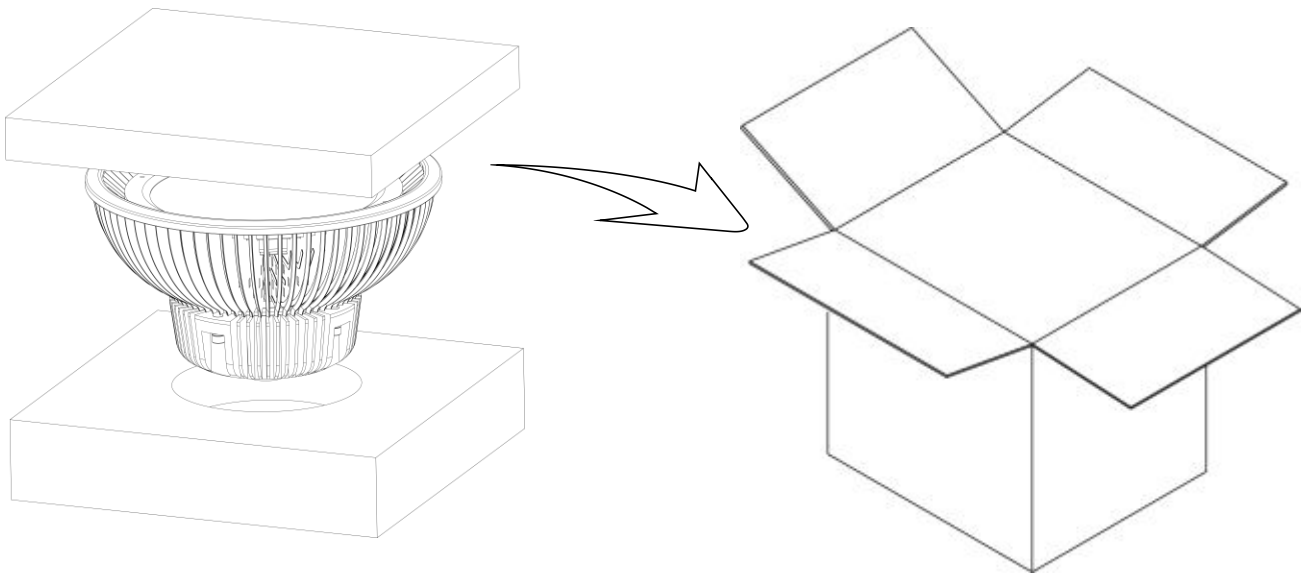
unit:mm



Split Graph



Packing



Model	Carton Size	Qty.	N.W.	G.W.
HBG150	326x326x234mm	1PCS/CTN	3.2Kg	4.8Kg

Note

Input voltage AC90-AC305V, Please power off when installation to prevent electric shock.

Product IP65 waterproof level, don't used in high temperature place.

When the temperature is too high, Over-temperature control circuitry activates, Output will be cut off, and the lamp will light off for a few minutes, After lowering temperature will be back to normal.

Warranty

Our company's products are used in constant current power supply, the whole lamp warranty for five year, one month replacement

Remark: The warranty on the base of right storing way, right installing way, right using way, right maintaining way. Any broken out of our rule, out of our warranty. During the warranty time, we can choose repairing, replacing parts or replacing the whole products according the detail information. And we'll charge the customers some material fee and labor cost if the product out of our warranty time.
