

PERFEKT LIGHT

SPECIFICATION

LED Flood Light



Product Details



Integrated Cooler

1070 Standard aluminum housing, Excellent heat dissipation.



LED Source – 3030

Anti sulfur, Stable performance and long lifespan.
With LM80.



Tempered glass

Waterproof gasket

G shape clips

Integrated Design, IP65 Protection

Specialized silicone rubber ring couple with G shape clips design, Not only enhance the ability of water and dust resistance, a more graceful appearance as well.

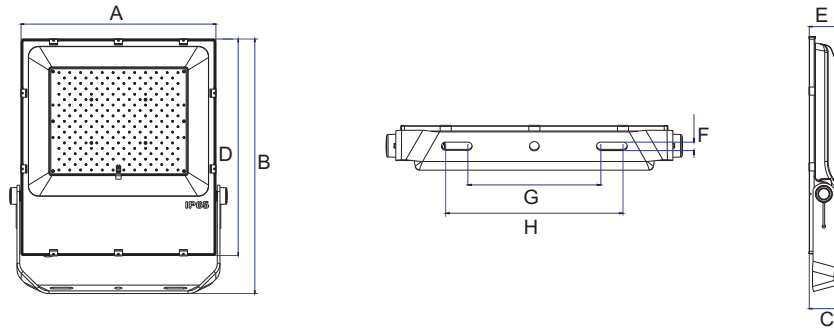


The angle of rotation 120°

0-120° Adjustable Bracket

Lighting angle can be switched from 0° to 120° for different installation.

Dimension



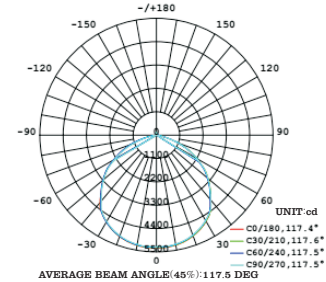
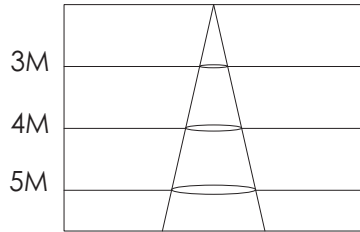
Item code	A mm	B mm	C mm	D mm	E mm	F mm	G mm	H mm
PL-F65BD-10-X	107	166	32	140	32	6.5	56.5	83.5
PL-F65BD-20-X	152	217	40	190	40	8	68	102
PL-F65BD-30-X	167	227	40	200	40	8	78	122
PL-F65BD-50-X	220	310	50	265	48	10.5	90	140
PL-F65BD-80-X	245	354	55	300	49.5	11.5	90	149
PL-F65BD-100-X	295	402	60	345	53.5	11.5	90	150
PL-F65BD-150-X	330	430	60	365	53.5	11.5	180	240
PL-F65BD-200-X	360	470	60	400	53.5	11.5	180	240

Features

- ◆ Excellent electromagnetic compatibility, no electromagnetic interference to surroundings.
 - ◆ Advanced aluminum alloy body and high-tech painting process help the body get rid of rust and corrosion permanently.
 - ◆ Unique heat-releasing system with a special process capsulation united the driver box perfectly, that helps a best inner temperature and lifespan for leds and driver.
 - ◆ Green initiative, no UV, infrared, thermal Radiation and HG pollution etc.
 - ◆ High color rendering reflect you a more realistic world, optional color temperature are capable with various applications.
 - ◆ High quality imported aluminum reflector mirror and stalinite are adopted to ensure a symmetric light configuration.
 - ◆ Precise beam angle and excellent reflection effects.
-
- Factory
 - Warehouse
 - Toll-Gate
 - Gas Station
 - Supermarket
 - Exhibition Hall
 - Stadium



Optical Parameter



Item code	3m	4m	5m
PL-F65BD-10-X	13-17lx	22-26lx	40-45lx
PL-F65BD-20-X	80-90lx	45-50lx	28-34lx
PL-F65BD-30-X	129-144lx	71-81lx	47-52lx
PL-F65BD-50-X	220-240lx	130-140lx	80-90lx
PL-F65BD-80-X	385-410lx	210-230lx	140-160lx
PL-F65BD-100-X	480-510lx	264-284lx	160-180lx
PL-F65BD-150-X	740-780lx	410-440lx	260-280lx
PL-F65BD-200-X	970-1020lx	550-580lx	350-370lx

Item code	Beam Angle
PL-F65BD-10-X	120
PL-F65BD-20-X	120
PL-F65BD-30-X	120
PL-F65BD-50-X	120
PL-F65BD-80-X	120
PL-F65BD-100-X	120
PL-F65BD-150-X	120
PL-F65BD-200-X	120

Data sheet

Item code	Input Voltage	Power	Working	CRI	PF	Efficiency($\pm 5\%$)	Luminous Flux
PL-F65BD-10-X	100-240V/100-277V	10W	DC30-40V	>80	>0.90	120LM/W	1150~1250LM
PL-F65BD-20-X	100-240V/100-277V	20W	DC30-40V	>80	>0.90	120LM/W	2300~2500LM
PL-F65BD-30-X	100-240V/100-277V	30W	DC30-40V	>80	>0.90	120LM/W	3450~3750LM
PL-F65BD-50-X	100-240V/100-277V	50W	DC30-40V	>80	>0.95	130LM/W	6250~6750LM
PL-F65BD-80-X	100-240V/100-277V	80W	DC30-40V	>80	>0.95	130LM/W	10000~10800LM
PL-F65BD-100-X	100-240V/100-277V	100W	DC30-40V	>80	>0.95	130LM/W	12500~13500LM
PL-F65BD-150-X	100-240V/100-277V	150W	DC30-40V	>80	>0.95	130LM/W	18750~20250LM
PL-F65BD-200-X	100-240V/100-277V	200W	DC30-40V	>80	>0.95	130LM/W	25000~27000LM

Installation Instructions

Correlated accessories and toolings for LED Flood light should be prepared firstly.

Step1:

Fixing LED Flood light to wall or mounting rack, specifying a location and drill the holes with expansion bolts. Install the LED Flood light to this position and fasten with screws. The installation gap between LED Flood lights is adjustable by specific demand.

Step2:

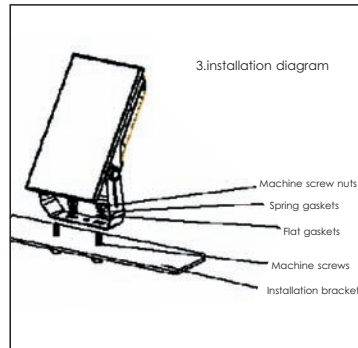
After step 1, pls connect wires by correct instructions(live wire - brown, null wire - blue, earth wire - green-yellow wire), the joint should be insulated.

Step3:

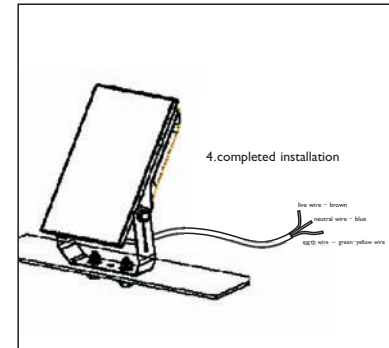
Lock screws on both ends of rotating bracket when you finalize an ideal illumination angle. Make sure there are no mistakes before turn on the power.



Step1



Step2



Step3

package

Item code	Dimension	Carton Size	PCS/Box	N.W. (kg) /PC	G. W. (kg) /CTN	Maximum Loading of		
						20'GP	40'GP	40'HC
PL-F65BD-10-X	166*107*32mm	425*415*255mm	36PCS	0.5	21	700PCS	1340PCS	1608PCS
PL-F65BD-20-X	217*152*40mm	515*380*260mm	20PCS	0.8	20	618PCS	1266PCS	1479PCS
PL-F65BD-30-X	227*167*40mm	535*405*260mm	20PCS	1	24	551PCS	1200PCS	1350PCS
PL-F65BD-50-X	310*220*50mm	530*365*255mm	8PCS	1.8	18	594PCS	1284PCS	1485PCS
PL-F65BD-80-X	354*245*55mm	435*340*130mm	1PC	3.8	5	1708PCS	3512PCS	3780PCS
PL-F65BD-100-X	402*295*60mm	510*430*135mm	1PC	5	7	1085PCS	2225PCS	2534PCS
PL-F65BD-150-X	430*330*60mm	510*430*135mm	1PC	6	8	1085PCS	2225PCS	2534PCS
PL-F65BD-200-X	470*360*60mm	555*460*135mm	1PC	7	9	960PCS	1981PCS	2262PCS